

MODELS:

LANCER PRS4
Plasma Cutting Table

LANCER PRS8
Plasma Cutting Table



Easily Deployable Cutting Systems

Praxair's NEW *ProStar*™ Lancer™ Series CNC cutting systems make productivity gains affordable and easy to deploy.

Praxair's *ProStar* Lancer Series CNC plasma cutting systems are an affordable solution for the steel processing needs of light fabricators, job shops, HVAC and sign companies—as well as artists and hobbyists.

With effective cut dimensions of 4' x 4' or 4' x 8', Lancer PRS4 and Lancer PRS8 CNC cutting systems provide the ability to efficiently process carbon steel, stainless steel plate, and more. These machines feature full support for *Hypertherm*® and *Thermal Dynamics*® plasma systems, and *FlashCut CNC* controllers for fast cutting speeds, optimal nesting, exceptional cut quality, and ease of use.

The Lancer PRS4 and Lancer PRS8 systems require minimal setup, and feature forklift accessible frames that make them easy to deploy and move as facility needs evolve.



ProStar Lancer Series
Model PRS4 shown

APPLICATIONS:

- Light manufacturing
- HVAC
- Job shops
- Sign shops
- Artists / Hobbyists

Features

54" x 54" or 54" x 102" effective cutting area

100% welded framework, aluminum beams

Available Hypertherm or Thermal Dynamics plasma system

Pierce cutting capacity

FlashCut CNC controller

Benefits

Process carbon and stainless steel plate up to 4' x 8' (PRS8)

Easy to deploy and relocate to meet evolving needs

Exceptional cut quality – reduce time spent grinding

Up to 7/8"

Easy setup, operation and nesting (CAD/CAM capable)

Take production to higher speeds with a *ProStar* Lancer CNC cutting system.

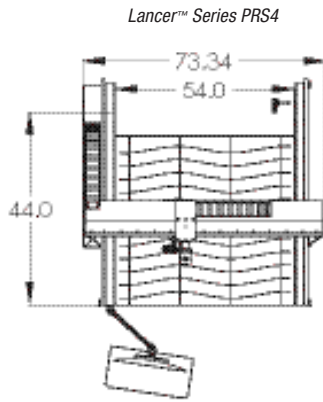


800.225.8247

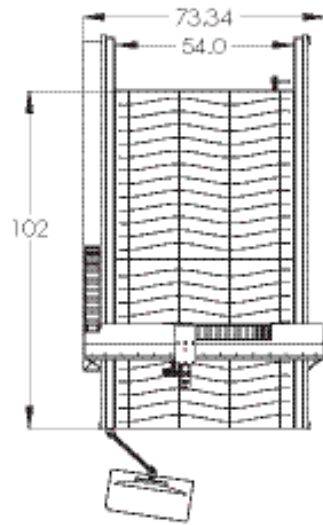


www.pxwelds.com

SPECIFICATIONS:



Lancer™ Series PRS4



Lancer™ Series PRS8

Part Number	PRS4	PRS8
Machine speed		
Traversing speed	Up to 600 IPM (micro stepper motors)	
Cutting Speed	Up to 240 IPM	
Pierce cutting capacity		
Plasma	Up to 7/8"	
Cutting area		
Width	54"	54"
Length	102"	126"
Dimensions		
Footprint	74" W x 96" L	74" W x 148" L
Power requirements*		
PRS4 or PRS8 system	20A/110V (1Ph)	

*Plasma cutting power source separate.

AVAILABLE PLASMA CUTTING SYSTEMS:

Praxair's ProStar Lancer Series CNC cutting systems can be configured with a number of Hypertherm® or Thermal Dynamics® plasma cutting systems, as well as other manufacturers. Available options include:

- Powermax® Series (45, 65, 85 & 105)
- Cutmaster® Series (42, 52, 82 & 102)



Hypertherm



THERMAL DYNAMICS